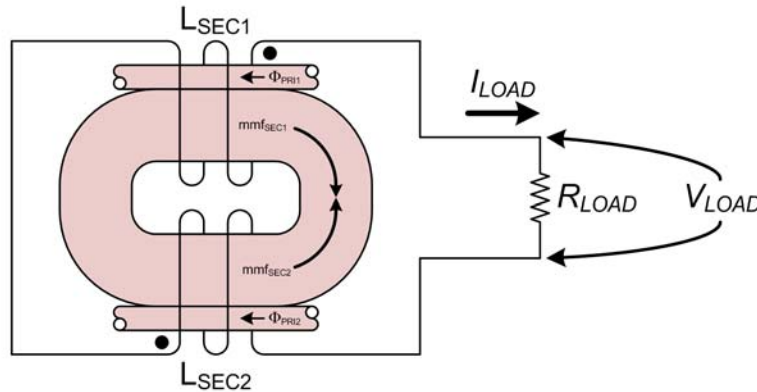


EXTRAORDINARY TECHNOLOGY 2015 LECTURE: “An Introduction to FREE Energy / Overunity Technology”



In this lecture, energy researcher and developer, William Alek will talk about how bifilar coil-based devices produce FREE Energy. William will cover Classical Electromagnetism, Relativistic Mechanical and Quantum Mechanical effects, and how these branches of physics interact to form a complete model about how to produce FREE Energy.

William's lecture includes a Power-Point presentation covering Einstein's Theory of Special Relativity, Quantum Tunneling through Zero Time Space, Near Field / Reactive Power generation, Negative-to-Positive Energy transformation, Room Temperature Cooper Pair-like formation, circuit design and more.

William will present a line of products that utilize the advanced physics presented above called GoPowerUp. All these products are Self-Sustaining meaning they require NO traditional external source of energy such as from the 'grid' to operate. Burning fossil fuels, nuclear fission/fusion energy sources and renewable energy sources such as solar or wind are obsolete with this technology.

William Alek is President and CEO of AuroraTek, Inc. AuroraTek is dedicated to bringing forth advance and exotic FREE Energy Self-Sustaining Technologies to the world. William is the developer of the SmartPAK / SFT FREE Energy / Overunity Energy Management System.

William can be contacted at:

PHONE: 480-474-4388 EMAIL: william.alek@auroratek.us WEBSITE: <http://AuroraTek.us>
ADDRESS: 10645 N. Tatum Blvd., Ste C200-436, Phoenix, AZ 85028