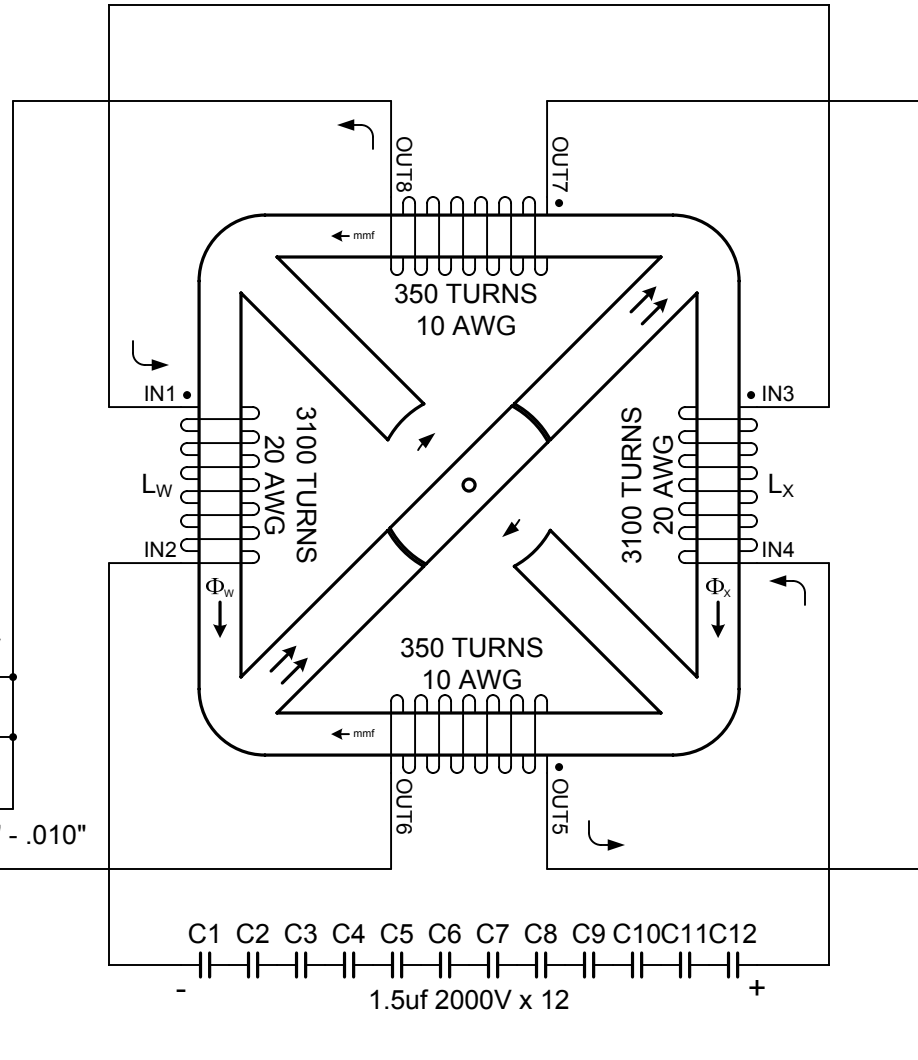
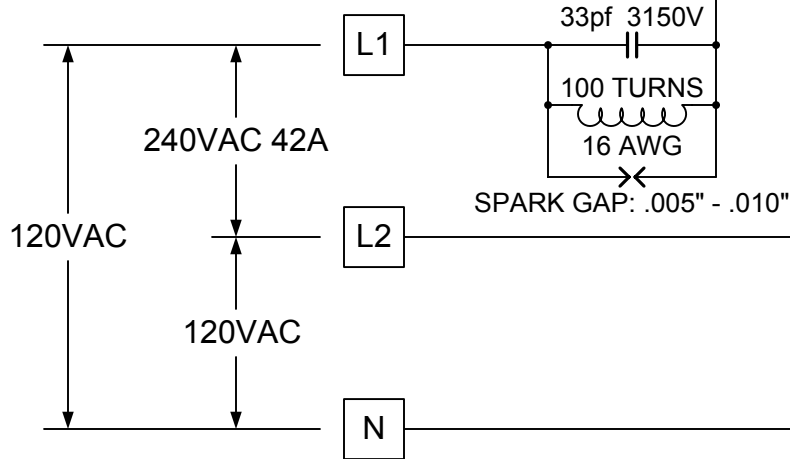


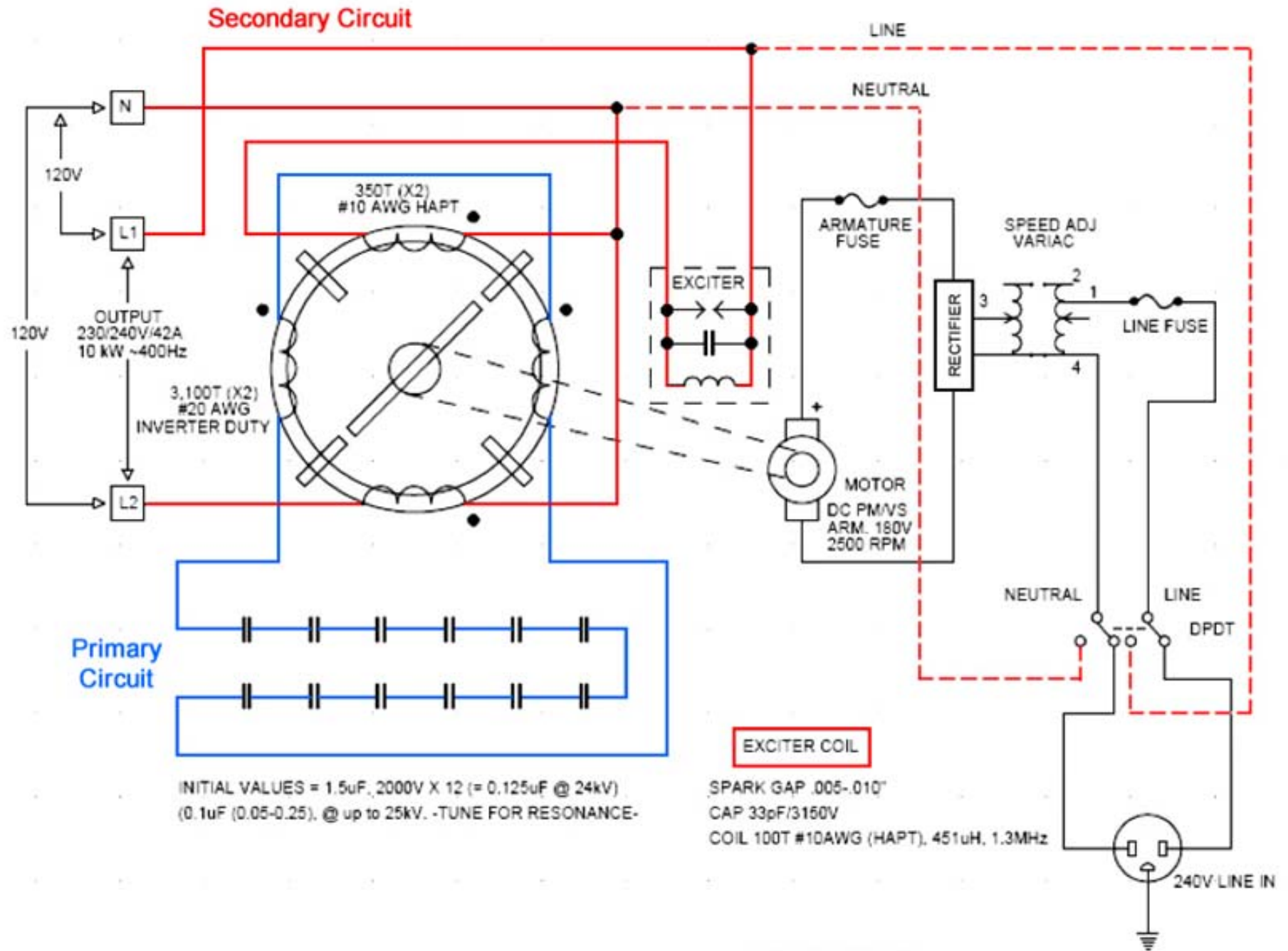
Faraday's Law:

$$EMF = -N \frac{\Delta\Phi}{\Delta t}$$

Lenz's Law:

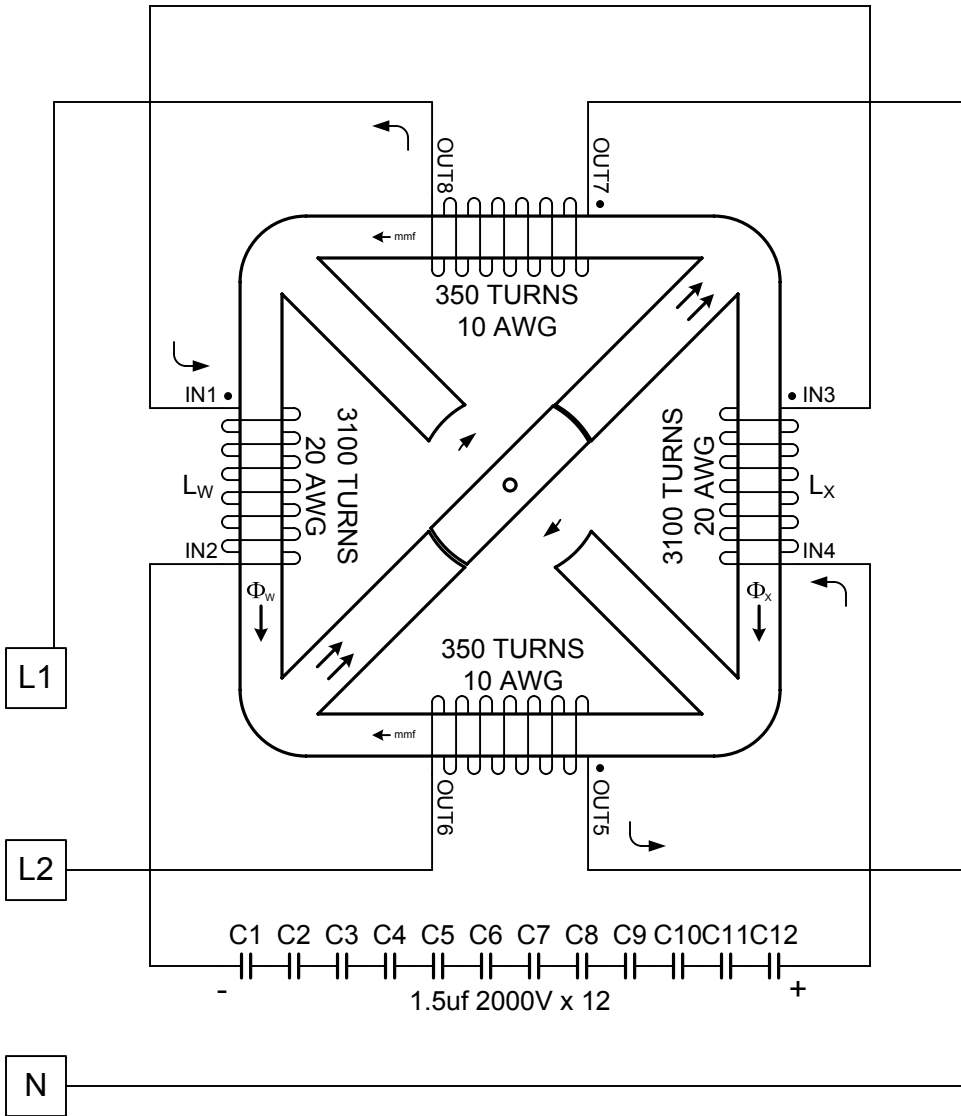


Quantum Energy Generator Analysis

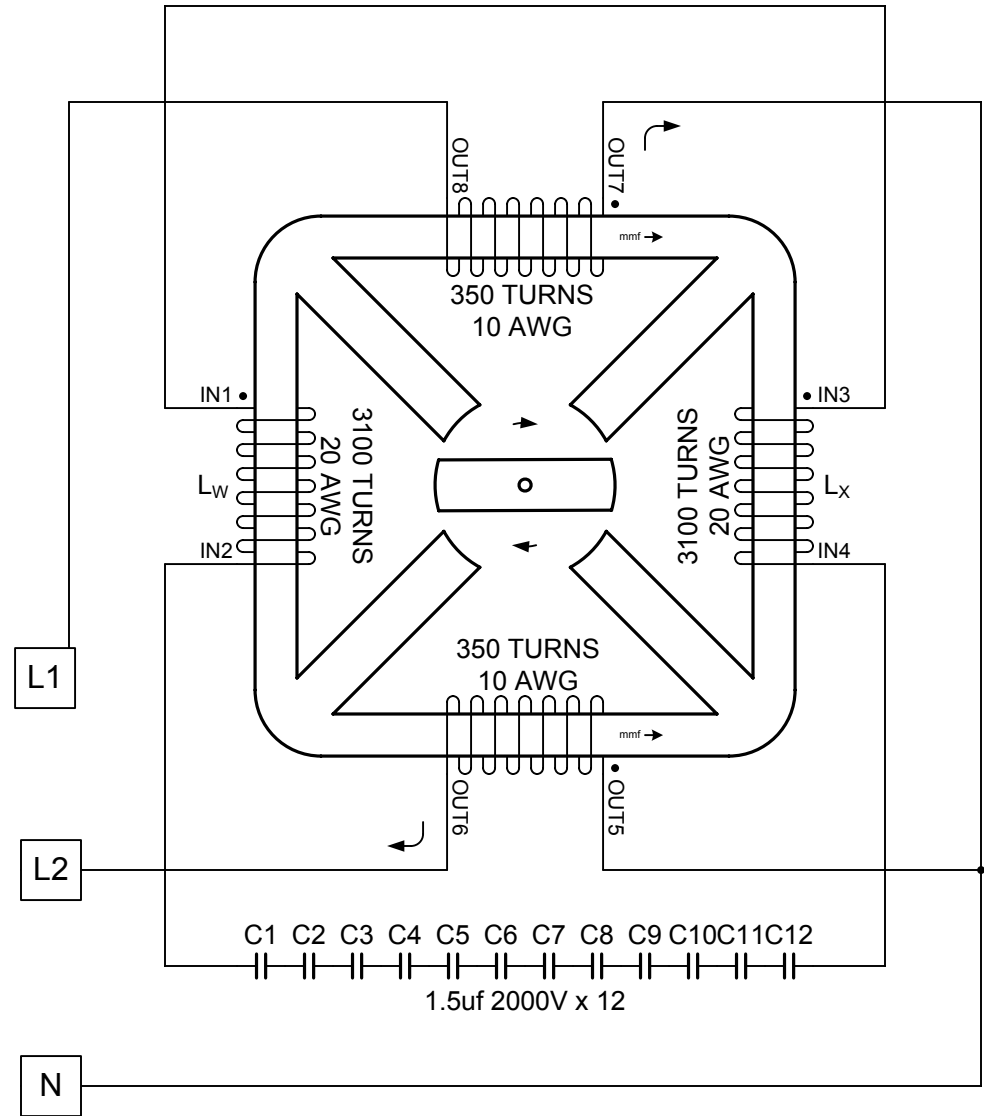


QEG SCHEMATIC

ROTOR POSITION #1



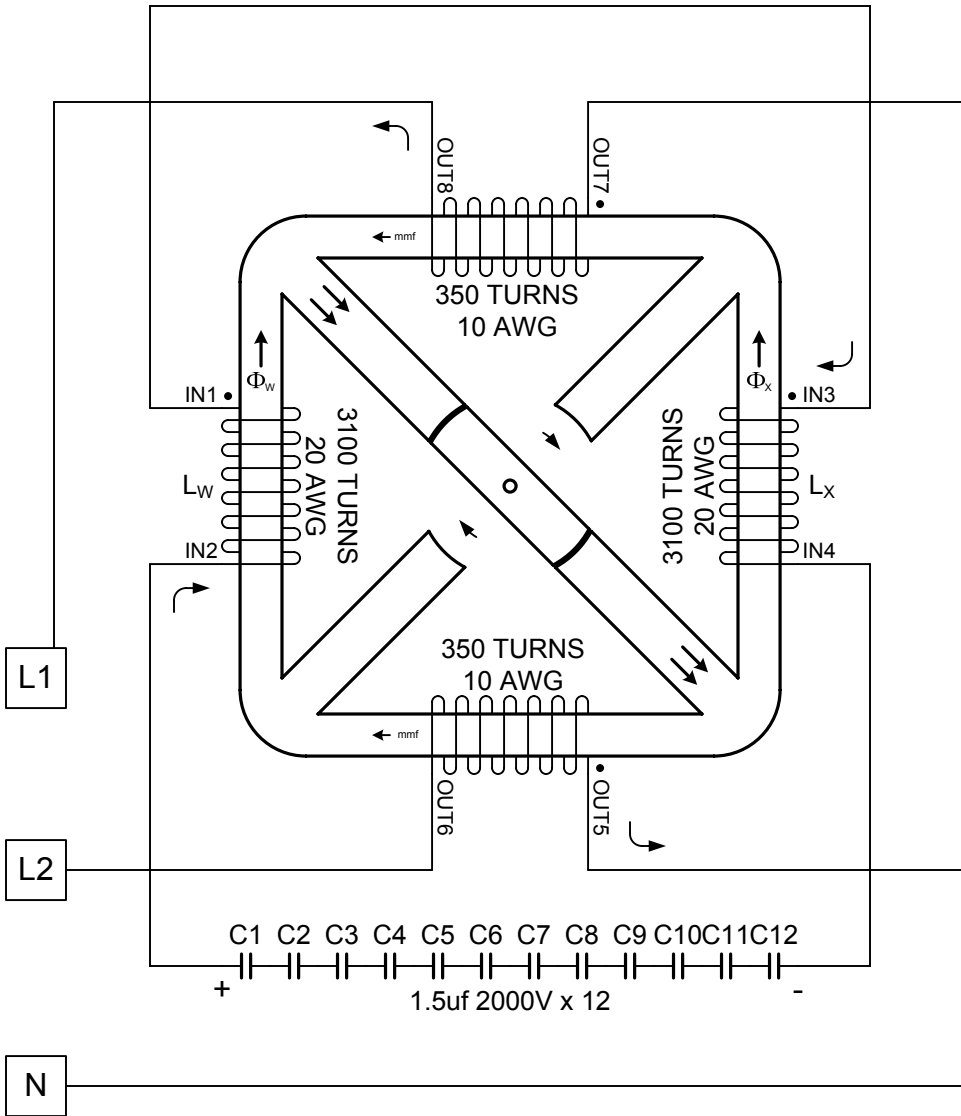
ROTOR POSITION #2



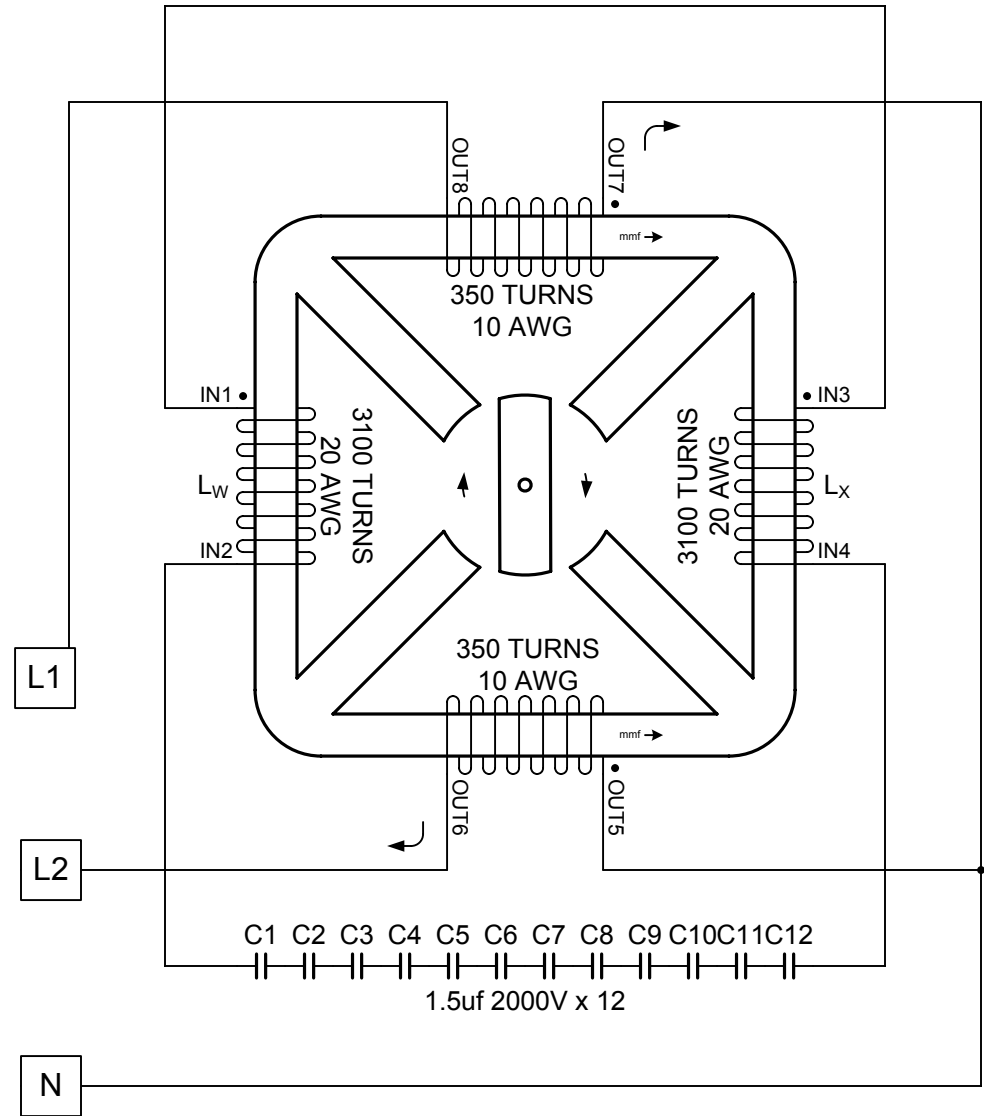
Quantum Energy Generator Analysis

©2015, AuroraTek, Inc.

ROTOR POSITION #3



ROTOR POSITION #4



Quantum Energy Generator Analysis

©2015, AuroraTek, Inc.